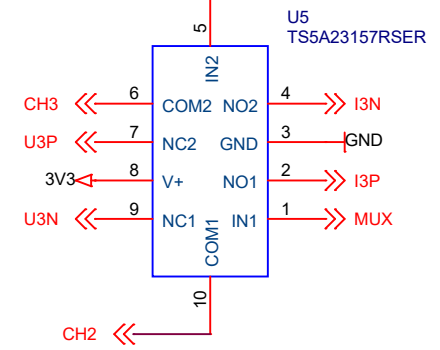
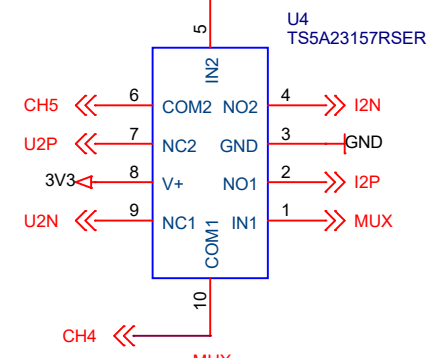
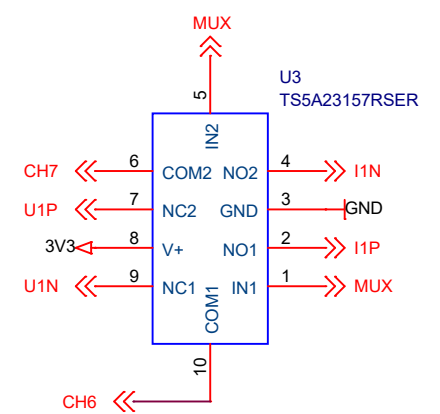
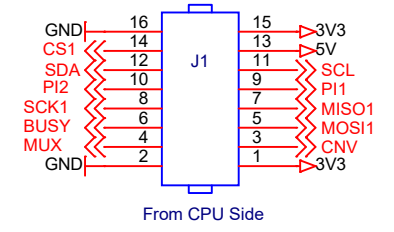


4/8 Ch. 18Bit
A/D Converter

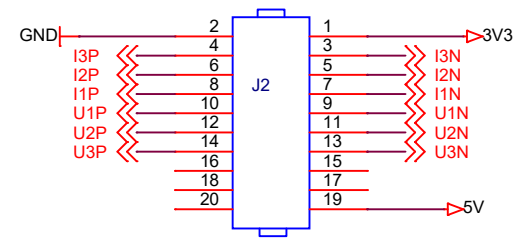
Voltage Reference



Voltage/Current
Multiplexer



From CPU Side



From 3Phase Side

Title		
micPower - 18Bit AD Conversion Board		
Size	Document Number	Rev
A4	ADC18 Board	1
Date:	Monday, July 10, 2023	Sheet 1 of 1